

For Residential and Commercial Applications

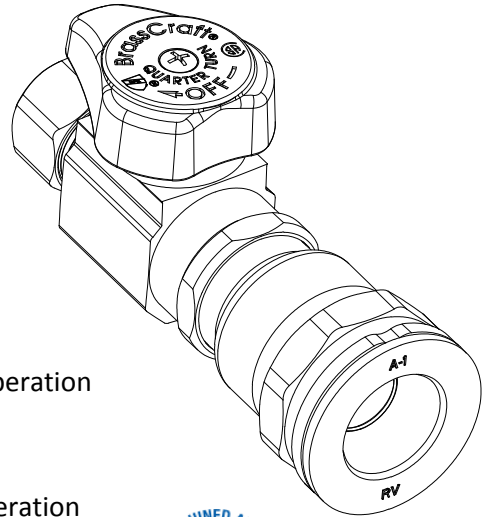
Job Name		Engineer / Architect	
Job Location		Wholesaler	
Submittal Date		Contractor	

G2PC14X 1/4 Turn Push Connect Straight Stop - Compression Outlet

Use: For use in potable water distribution systems. Not intended for recirculating systems that produce continuous use temperatures above 115° F. For those applications, use our KT™ series ball stop.

Design Features:

- **Compatible with** PEX, copper, and CPVC
- **Dual o-rings.** Rubber o-rings provide excellent chemical resistance, heat resistance, and abrasion resistance
- **Pre-inserted tube stiffener** is “installation ready” for a faster connection
- **Locking clip** adds security to connection while allowing removal if needed
- **Captive removal flange** permits easy removal from tube
- **One-piece, shut-off mechanism** provides smooth on-off operation without freeze ups even after long periods of non-use
- **Positive 1/4 turn shut-off**
- **Easy-to-remove handle** helps protect against accidental operation during rough-ins
- **100% Leak tested**
- **No Lead**



Operating Specifications:

Temperature: 40° - 140° F
Pressure: 125 PSI maximum

STOP MATERIAL SPECIFICATIONS	
Body	Brass, chrome plated
Handle	Zinc, die cast plated
Screw	Zinc-plated steel
O-ring	Rubber
Stem Shaft	Glass-filled polypropylene
Stem Barrel	Santoprene
Gripper Ring	Stainless steel
Tube Stiffener	Stainless steel
Locking Clip	Nylon
Removal Flange	Polypropylene
Compression Sleeve	Brass
Compression Nut	Brass

This specification and all information contained herein is the confidential and exclusive property of BrassCraft Manufacturing, and shall not be disclosed to others without the written consent of BrassCraft Mfg. This specification must be returned to BrassCraft Mfg. if requested.

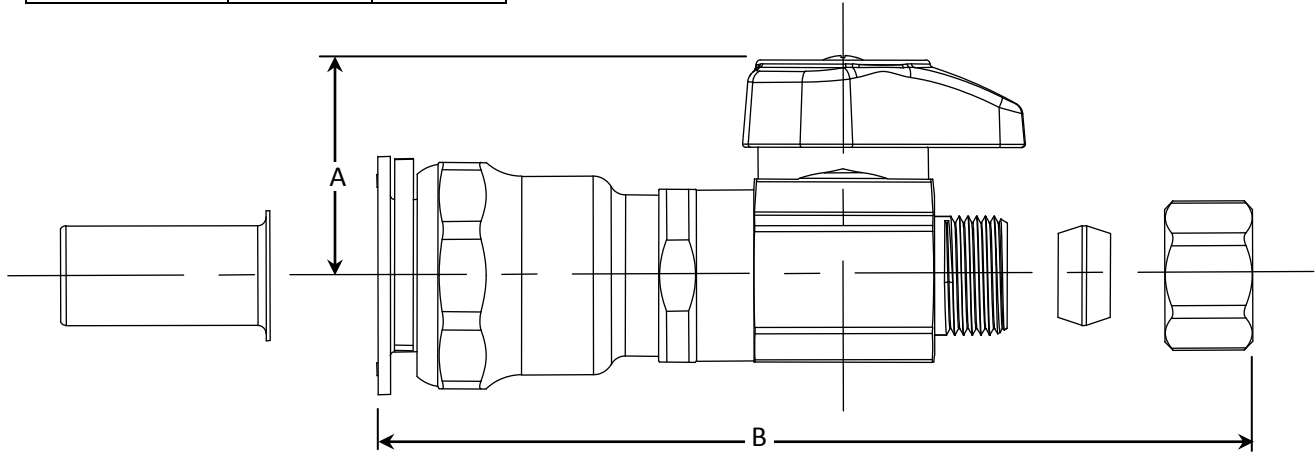


G2PC14X 1/4 Turn Push Connect Straight Stop - Compression Outlet

Part Listing:

- G2PC14X C 1/2" nom push connect x 3/8" OD compression, chrome plated
- G2PC14X C1 1/2" nom push connect x 3/8" OD compression, chrome plated, window tray

PART DIMENSIONS (Inches)		
Model	DIM. A	DIM. B
G2PC14X	1.04	3.28



Listings & Certifications:

- IAPMO listed to ASME A112.18.1 / CSA B125.1 (File # 0645)
- CSA listed to ASME A112.18.1 / CSA B125.1 (File # 204593)
- No-Lead product CSA listed to Low Lead Content Certification Program – Plumbing Products Class 6853-01



This specification and all information contained herein is the confidential and exclusive property of BrassCraft Manufacturing, and shall not be disclosed to others without the written consent of BrassCraft Mfg. This specification must be returned to BrassCraft Mfg. if requested.

BrassCraft®